

Lined Elbow 90°



Flange Type: ANSI 150LBS

- Pipe** : ASTM A234 grade WPB, in compliance with ANSI B16.28 or SG Iron as per IS 1865-1991
- Steel Pipe** : According to SCH 40 up to 8" according to SCH20 from 10" to 12"
- Flange** : ASTM A105, in compliance with ANSI B16.5/Class 150lbs; JIS 10K or DIN is also available on request
- Standard** : Three fixed Flanges, three loose Flange and two fixed flange or two loose flanges are on request
- Lining Available** : PTFE/FEP/FEA

Features

- High strength
- Dimensionally accurate
- Durable finish
- Sturdy structure
- With stand high pressure

Test & Inspection Data

- Hydraulic Test : 20kg/cm After Lining
- Spark Test : 15 KV D.C After Lining

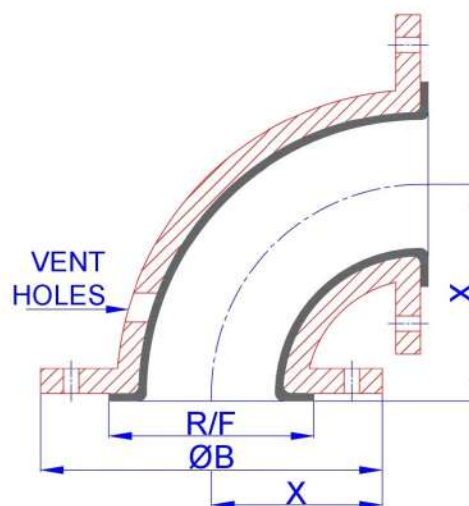


Fig. : Lined Elbow 90°

Nominal Bore NB		ØP	ØC	A	T	ØF or RF	ØD	NH	P.C.D	LT
Inch	MM	MM	MM	MM	MM	MM	MM	Nos.	MM	MM
1"	25	108	20	89	14.3	51	16	4	79.4	3
1.1/2"	40	127	34	102	17.5	73	16	4	98.4	3
2"	50	152.4	45	114	19	92	19	4	120.6	3.5
2.1/2"	65	177.8	55.5	127	22.2	104.8	19	4	139.7	3.5
3"	80	190.5	70	140	23.8	127	19	4	152.4	4
4"	100	228.6	93.5	165	23.8	157	19	8	190.5	4.5
6"	150	279.4	144	203	25.4	216	22.2	8	241.3	5.5
8"	200	342.9	191	229	28.6	270	22.2	8	298.4	5.5
10"	250	406.4	248	279	30.2	323	25.4	12	361.9	6
12"	300	482.6	299	305	31.7	381	25.5	12	431.8	6

Ablaze Polymer & Lining

E - 52/7 Sardar Industrial Estate
 Ajwa Road, Vadodara-19, Gujarat, India.
 Contact : 91 265 2572420
 Email : sales@ablazelining.com